

# EXP-23GS/H

EN ANSI

76



6

1 BSP  
2 6 G/29 87 /

76 / 20

5C/41F  
35C/95F

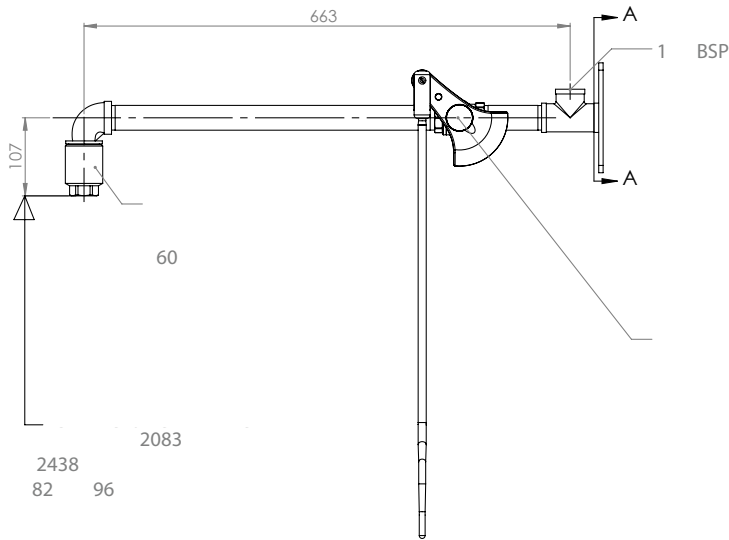
/

x x

210 8.3 x 734 28.9 x 649 25.5

5 11

# EXP-23GS/H



BSP

